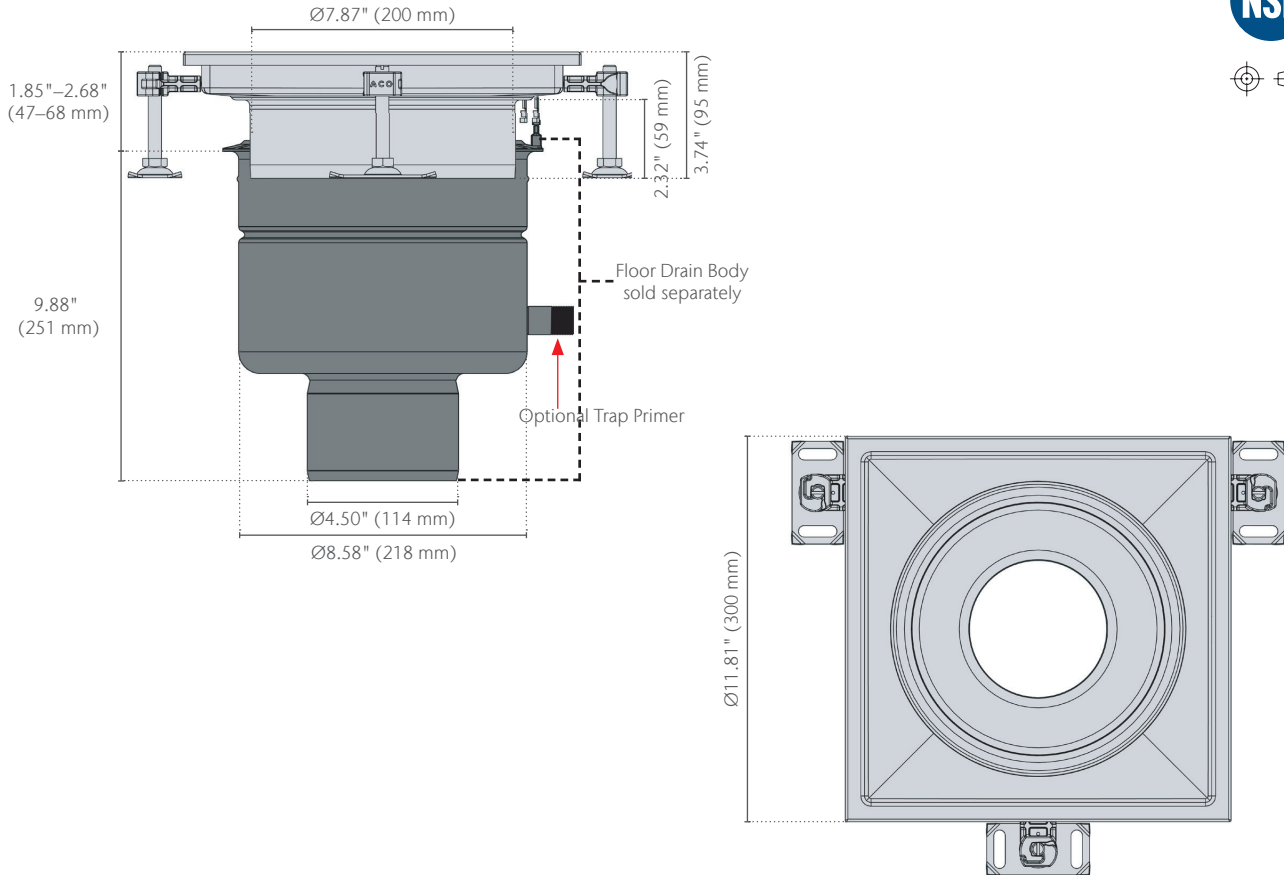


# ACO FloorDrain | Hygienic Floor Drains

## 12" Adjustable Top Spec Sheet



Product Name	Part No.	Material	Weight lbs
Hygienic Floor Drain, 12" Adjustable Top	<b>408228</b>	AISI 304	4.1
	<b>408238</b>	AISI 316L	4.1

### Specification Clause

Used with ACO 12" Hygienic Adjustable Floor Drains. Made from AISI 304 or AISI 316L. Certified to NSF/ANSI/3-A Standard 14159-1.

ACO recommends checking local plumbing codes prior to installation.

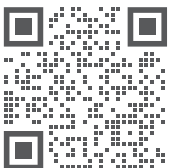


ACO is NSF/ANSI 3A 14159-1-2014 certified for its products from NSF International.

### ACO, Inc.

© January 2026 ACO, Inc.

All reasonable care has been taken in compiling the information in this document. All recommendations and suggestions on the use of ACO products are made without guarantee since the conditions of use are beyond the control of the company. It is the customer's responsibility to ensure that each product is fit for its intended purpose and that the actual conditions of use are suitable. ACO, Inc. reserves the right to change products and specifications without notice.



info@acousa.com  
www.acousa.com

